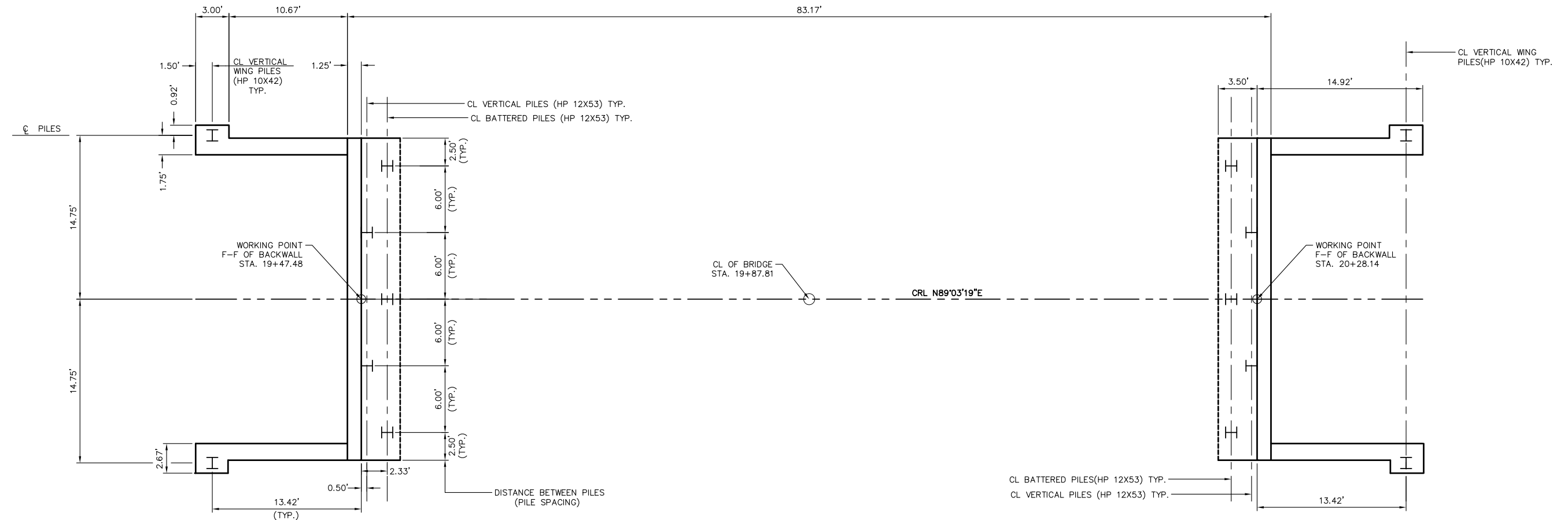
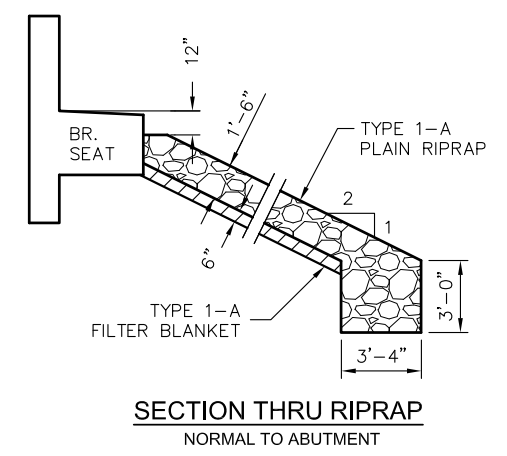


| REVISIONS | | |
|-----------|-------------|------|
| REV. NO. | DESCRIPTION | DATE |
| | | |



SUBSTRUCTURE LAYOUT
SCALE 1" = 5'

| SUMMARY OF BRIDGE QUANTITIES - BRIDGE 'A' | | | | | | | |
|---|------|--------------------|----------|----------------|----------|--------------------|-----------|
| DESCRIPTION | UNIT | APPROACH SLAB NO.1 | ABUT. #1 | SUPERSTRUCTURE | ABUT. #2 | APPROACH SLAB NO.2 | TOTAL |
| SUBSTRUCTURE EXCAVATION COMMON | CY | | 90.00 | | 90.00 | | 180.00 |
| CLSM BACKFILL | CY | | 38.00 | | 38.00 | | 76.00 |
| PRESTRESSED CONCRETE BEAMS (TYPE III) | LF | | | 239.00 | | | 239.00 |
| APPROACH SLAB | SY | 57.50 | | | | 57.50 | 115.00 |
| SAW-CUT GROOVING | SY | 44.40 | | 200.90 | | 44.40 | 289.70 |
| CONCRETE RAIL (TR3) | LF | | 27.40 | 166.40 | 27.40 | | 221.20 |
| STRUCTURAL STEEL | LB | | | 510.00 | | | 510.00 |
| WEATHERING STEEL FIXED BEARING ASSEMBLY | EA | | 3.00 | | | | 3.00 |
| WEATHERING STEEL EXPANSION BEARING ASSEMBLY | EA | | | | 3.00 | | 3.00 |
| CLASS AA CONCRETE | CY | | | 63.70 | | | 63.70 |
| CLASS A CONCRETE | CY | | 33.10 | | 33.10 | | 66.20 |
| REINFORCING STEEL | LB | | 4,600.00 | 15,020.00 | 4,600.00 | | 24,220.00 |
| PILES, FURNISHED (HP 10X42) | LF | | 42.00 | | 38.00 | | 80.00 |
| PILES, FURNISHED (HP 12X53) | LF | | 90.00 | | 75.00 | | 165.00 |
| PILES, DRIVEN (HP 10X42) | LF | | 42.00 | | 38.00 | | 80.00 |
| PILES, DRIVEN (HP 12X53) | LF | | 90.00 | | 75.00 | | 165.00 |
| PILE SPLICE, H-SPLICE (NON-BIDDABLE) | EA | | | | | | 1.00 |
| TYPE 1A PLAIN RIPRAP | TON | | 350.00 | | 350.00 | | 700.00 |
| TYPE 1A FILTER BLANKET | TON | | 100.00 | | 100.00 | | 200.00 |
| 6" PERFORATED PIPE UNDERDRAIN ROUND | LF | | 26.00 | | 26.00 | | 52.00 |
| 6" NON-PERFORATED PIPE UNDERDRAIN ROUND | LF | | 30.00 | | 30.00 | | 60.00 |



N:\AF34-CED2-1 - MCINTOSH-BR052\DRAWINGS\AF34 SUBSTRUCTURE DIAGRAM.DWG 8/11/2017

| | | | |
|----------|-----|---------------------------------------|----------------|
| DESIGN | | EW115 OVER TEXANNA CREEK | MCINTOSH CO. |
| DRAWN | GLH | OKLAHOMA DEPARTMENT OF TRANSPORTATION | |
| CHECKED | GCS | | |
| APPROVED | | SUBSTRUCTURE STAKING DIAGRAM | |
| SQUAD | KCS | | |
| | | STATE JOB NO. 29374(04) | SHEET NO. B002 |